

electrical safety in the home

Electricity is an important part of how we live our lives today. It is just as important to treat the electrical appliances that we have in our home properly. Here are a few useful tips to help you use your electrical appliances efficiently and safely

- Make sure you know how to switch off your electricity supply at the mains
- Make sure all electrical appliances are switched off when they are not being used
- Do not overload your electrical sockets with extension leads
- **Never** touch switches with damp or wet hands and **never** take electrical appliances into the bathroom

General Advice

To switch the electricity off at the mains you will need to locate the consumer unit. The consumer unit (the fuseboard) can usually be found next to the electricity meter.

Modern electric circuits are fitted with a circuit breaker fuse system. If a fault develops, a switch in the consumer unit is tripped and the circuit broken.

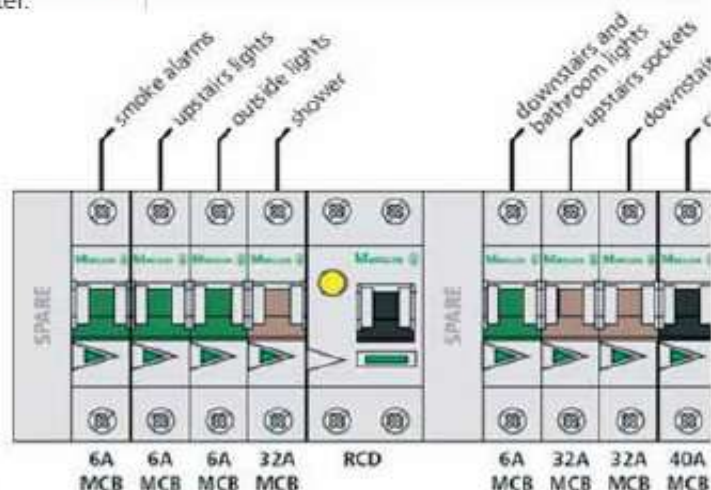
Circuit breakers usually trip because either the circuit is overloaded or an appliance is faulty.

NEVER TAMPER WITH THE ELECTRICITY BOARD'S CIRCUIT BREAKERS AND SEALS.

Resetting Your Trip Switch - what to do

Firstly unplug all appliances. Next, open the cover on the consumer unit to expose trip switches. Reset the trip by pushing in the tripped button or pushing up the trip switch. Plug the appliances back one at a time to check if any are faulty and tripping the switch. Replace the consumer unit cover.

If the switch keeps moving back to the off position then you need to report it to repairs **freephone number on 0800 393 338.**



Above: An example of a consumer unit distribution board. Yours may be arranged slightly differently.

DIY Top Tip



Anything to Say about Home News?
Tel: 020 8768 7970 Email: getinvolved@hexagon.org.uk