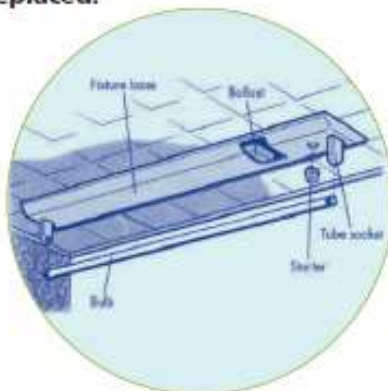


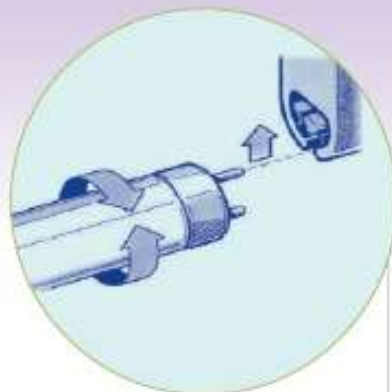
# fluorescent lights – changing the tube

Although there may be a couple of reasons why a tubular fluorescent light bulb is flickering or not working at all, the easiest way to tell if it needs changing is to look at the ends of the tube. A dark grey or black coloured end(s) on the tube will be a clear indication that the tube needs to be replaced.



## Instructions:

1. Turn off electricity in the area or unplug the fluorescent light unit from the electrical socket.
2. Allow the fluorescent tube to cool off completely to avoid burns.
3. Loosen three screws or fasteners by using a screwdriver if the fluorescent tube fixture has a ceramic or glass reflector surrounding it.
4. Hold the fluorescent tube near its centre with both hands, and twist the bulb in the fixture 45 degrees.
5. Look into one of the terminal ends to align the two-pronged element of the tube to the end of the fluorescent light fixture. Aligning the prongs vertically to the fixture will allow you to extract the bulb straight down. Remove the bulb and place it carefully out of the way where it will not tip over or roll off a countertop and shatter.



6. Align the two-pronged element of the new bulb vertically to the light fixture and push upward until it has reached the top of the fixture.
7. Twist the bulb 90 degrees, making sure both dual-pronged elements are correctly inserted into the fixture.
8. Plug the light back into the electrical outlet and turn the light back on.
9. Dispose of the spent fluorescent light bulb tube in accordance with the local authority's hazardous waste material regulations.

## Tips & Warnings:

1. Some older units with 4 foot and 8 foot-length bulbs may have push-button fixtures for the bulb insertions. This simply requires pushing the bulb from the centre in one direction to release one element and then dropping the bulb down from the fixture. Re-install by reversing the procedure.
2. Replace your fluorescent tube if you notice it becoming dim or beginning to blink.
3. Ventilate the room by opening all windows and doors if you break a fluorescent tube.